



BAT-02

Nominal Capacity 6000mAh @ 0.2 C

Features

- High capacity
- Operating temperature ranges are Discharge $-20^{\circ}\text{C}\sim+60^{\circ}\text{C}$ and Charge $0^{\circ}\text{C}\sim+45^{\circ}\text{C}$
- Long storage periods support

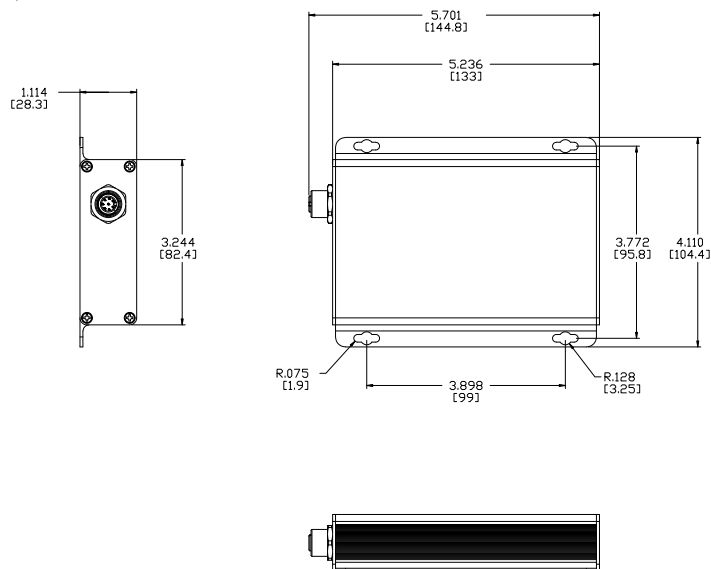


Specifications

Model Name	BAT-02
Nominal Voltage	11.1V
Charge Cut-off Voltage	12.6V
Discharge Cut-off Voltage	8.25V
Nominal Capacity	Typ: 6000mAh @ 0.2 C
Impedance	$\leq 160\text{ m}\Omega$
Standard Charge Current	0.2C
Max. Charge Current	0.5C
Standard Discharge Current	0.2C
Max. Continuous Discharge Current	6A
Standard Charging	Constant Current Charging at 0.2C to 12.6V, then Constant Voltage Charging at 12.6V to cut-off currents $\leq 0.01\text{C}$
Standard Discharge	Constant discharge at 0.2C to cut-off voltage of 8.25V.
Standard Charging Time	Approx 7 hours
Operating Temperature	Discharge $-20^{\circ}\text{C}\sim+60^{\circ}\text{C}$, Charge: $0^{\circ}\text{C}\sim+45^{\circ}\text{C}$
Storage Temperature	$-20^{\circ}\text{C}\sim+45^{\circ}\text{C}$ (≤ 3 months), $-20^{\circ}\text{C}\sim+28^{\circ}\text{C}$ (≤ 1 year). The battery must be charged to 10.8V \sim 11.7V before putting into storage. Over long storage periods, the battery should be discharged and charged every 90 days.
Weight	--
Dimensions	--

Dimension Drawing

Model Name: BAT-02
Size Unit: inch(mm)



Ordering Information

Part #: BAT-02

Please contact Arista sales representative for more information

Telephone:

+1-510-226-1800

Email:

sales@goarista.com